

# Pyro | AV

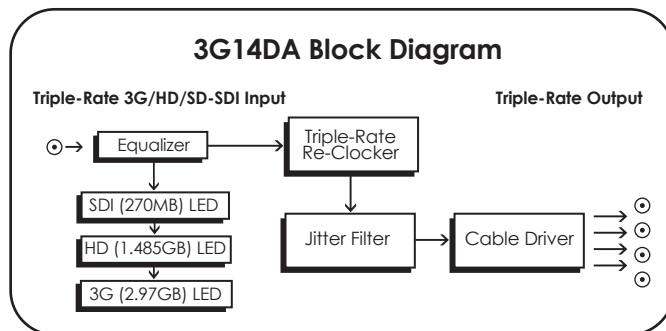
## 3G14DA

### Triple Rate 4 Port Distribution Amplifier

- > Future Proofed 3 Gb/sec. Distribution Amplifier
- > Split your 3G/1.5Gb/270Mb SDI video stream into 4 SDI streams
- > Supports 3 Gb/sec. and backward compatible to all SDI speeds

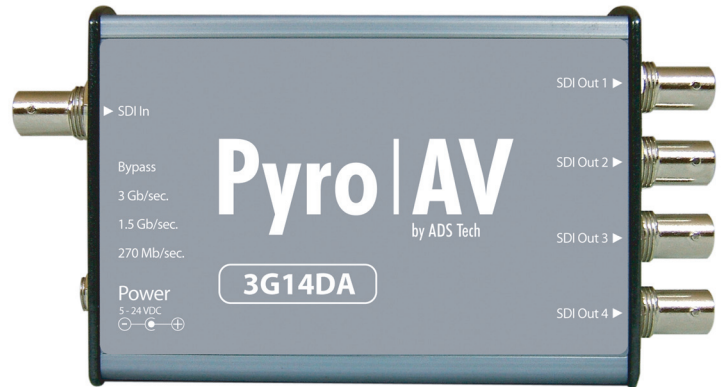
Future proof your video infrastructure. 3 Gb/sec. supports video resolutions up to 1920 x 1080p 60 over a single coax cable. Triple rate devices are backward compatible to SD and HD-SDI. You may not be running 3 Gb/sec. today, but you probably will in the future. Your investment today ensures compatibility for tomorrow.

The 3G14DA is a Triple rate distribution amplifier with buffered and re-clocked outputs on 4 BNC connectors in a mini block size enclosure. Split your SDI video stream into 4 separate re-clocked video outputs.



The 3G14DA automatically detects the signal speed of the incoming video signal and distributes pristine video quality over the 4 output ports with no dip switches or user settings necessary. Individual signal present LED's display the locked SDI rate (1270 MB, 1.5 Gb/sec and 3 Gb/sec., other signal speeds are amplified and passed through.)

The 3G14DA provides cable equalization to restore SDI signals over 75 Ω coax cable supporting data rates from 143 MB/sec. to 2.97 Gb/sec. The 3G14DA is designed to recover the embedded clock, re-time the clock signal and removes high frequency jitter from SMPTE 424M, 292M and 259M-c compliant digital video signals. The signal is then output through high quality cable drivers for each output port to ensure SMPTE compliant SDI video output up to 2.97 Gb/sec.



#### Features.

- Triple-Rate 3G/HD/SD-SDI Distribution Amp
- Auto-detection of input signal data rate
- LED signal rate indicators
- 4 individually re-clocked outputs with jitter removal
- Rugged Aluminum and Steel enclosure
- 5 VDC (110-240 50/60 Hz) Locking Power Supply
- 5 year warranty

#### Specifications.

- Serial Input
  - 3G/HD/SD-SDI (SMPTE 424M, 292M, 259M)
- Serial Output
  - 3G/HD/SD-SDI (SMPTE 424M, 292M, 259M)
- SDI Outputs
  - 4 BNC Connectors
- Typical SDI Cable Equalization
  - 70m of Belden 1694A cable @ 2.97 Gb/sec
  - 140m of Belden 1694A cable @ 1.85 Gb/sec.
  - 350m of Belden 1694A cable @ 270 Mb/sec.
- Connectors
  - 75 Ω BNC
- Power
  - 5-24VDC - 110-220 50/60 Hz
  - Locking Power connector
- Size
  - Enclosure – 5.813"L x 3.124"H x 1.187"W

#### Includes.

- 3G14DA Distribution Amp
- 5 VDC Power Supply with Locking Connector
- Velcro Strips for easy mounting
- 2 each 4-40 standard rack mounting screws
- User Guide

#### Part Number.

PVC-924

#### UPC.

7-57887-92400-3

#### Box Dimensions.

10.5"W x 8.75"H x 3.25"D

**Pyro | AV**  
by ADS Tech

[www.pyroav.com](http://www.pyroav.com)

North American Office

ADS Tech Inc, USA  
12627 Hidden Creek Way  
Cerritos, CA 90703, USA

Southern Europe | MEA Office

ADS Tech SARL France  
51/55 Rue Hoche  
94200 - Ivry Sur Seine, France

Central | Eastern | N. Europe Office

ADS Tech GmbH  
Frankfurter Straße 3b  
38122 Braunschweig, Germany

UK and Ireland Office

ADS Tech  
Western Business Park  
Shannon, County Clare, Ireland